

# Aston Club

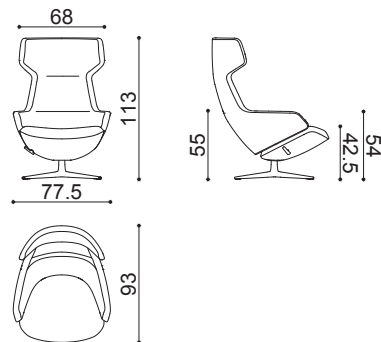
Design by Jean-Marie Massaud, 2020

## Art. 2400

Lounge chair on a 4-ways base in polished or powder-coated aluminium, featuring a seat return mechanism and a weight-triggered mechanism for reclining the backrest, with three set positions. The polyurethane shell is covered with fabric, leather, coated fabric or a covering of the client's choice.

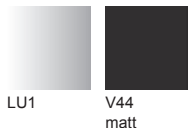


### Dimensions \*



\* File CAD 2D - 3D available for download at [www.arper.com](http://www.arper.com)

### Frame Base



LU1

V44  
matt

### Shell

#### Carded In



#### Graded In

**kvadrat**

**camira**

**Gabriel®**

arper

info@arper.com

www.arper.com


# Aston Club

## Design by Jean-Marie Massaud, 2020

---

### SHIPMENT DETAILS

**Art.2400**

1 pz = 1  - kg 35/ m³ 1,18

---

### RESISTANCE TEST

- EN 1728:2012 - EN 16139:2013 6.10
- EN 1728:2012 - EN 16139:2013 6.17
- EN 1728:2012 - EN 16139:2013 6.20
- EN 1728:2012 - EN 16139:2013 6.25
- EN 1728:2012 - EN 16139:2013 6.4
- EN 1335-3:2009 7.1
- ANSI/BIFMA X5.4-2020/5
- ANSI/BIFMA X5.4-2020/9
- ANSI/BIFMA X5.4-2020/13
- ANSI/BIFMA X5.4-2020/15
- ANSI/BIFMA X5.4-2020/19
- ANSI/BIFMA X5.4-2020/21
- EN 1728:2012 - EN 16139:2013 6.11
- EN 1728:2012 - EN 16139:2013 6.18
- EN 1728:2012 - EN 16139:2013 6.24
- EN 1728:2012 - EN 16139:2013 6.26
- EN 1728:2012 - EN 16139:2013 6.5
- EN 1728:2012 - EN 12520:2015 5.4.2
- ANSI/BIFMA X5.4-2020/7
- ANSI/BIFMA X5.4-2020/10
- ANSI/BIFMA X5.4-2020/14
- ANSI/BIFMA X5.4-2020/17
- ANSI/BIFMA X5.4-2020/20

---

### ENVIRONMENTAL CERTIFICATIONS

---

### TECHNICAL SPECIFICATIONS

**Art.2400**

COL requirement m² 7.32  
H 140 cm. COM Meterage m 4.07

---

### FIRE RETARDANT TEST

arper

www.arper.com  
info@arper.com